

Table of Contents

Technical Details	Important Safety Instructions	Special AUTOMATIC X Product Features	Optional Attachments, Accessories, Bags and Filters
Identification of Parts	Assembly	Operating Instructions	Using the attachment tube, hose, and attachments
Vacuum Maintenance	Clog Removal	Troubleshooting Guide	Schematics and Parts List
Warranty Information			

Technical Details

Vacuum Motor - 1250 watts (10.6 amps)

Filter Bag Capacity - .8 gallons

Motor Protection - Thermal Cut-Out

Technical details may be subject to change.

Water Lift (at motor) - 110 inches

Sound Level - 63 dB

Cord Length - 20 feet

Airflow (at motor) - 120 CFM

Body Weight - 12 lbs

Range - 31 feet

Important Safety Instructions



READ ALL INSTRUCTIONS BEFORE USING THIS MACHINE

When using an electrical appliance, basic precautions must always be followed.

To reduce the risk of electric shock, this vacuum cleaner has a polarized plug; one blade is wider than the other. This plug will fit in a polarized outlet only one way. If the plug does not fit fully in the outlet, reverse the plug. If it still does not fit, contact a qualified electrician to install the proper outlet. Do not change the plug in any way. Connect only to the outlet type specified on the serial number plate underneath the machine.

SAVE THESE INSTRUCTIONS.

WARNING: To reduce the risk of fire, electric shock, or injury:

- Do not leave vacuum while plugged in. Unplug from outlet when not in use and before servicing.
- Do not use outdoors or on wet surfaces.
- Do not use near small children or pets. Do not allow to be used as a toy. Use of this product by children should always be supervised by an adult.
- Use only as described in this manual. Use only manufacturer recommended attachments.
- Do not use with a damaged cord or plug. If vacuum is not working as it should, has been dropped, damaged, left outdoors, or dropped into water, take it to a SEBO service center.
- Do not pull or carry by cord, use cord as a handle, close a door on cord, or pull cord around sharp edges or corners. Do not run vacuum over cord. Keep cord away from heated surfaces.
- Do not unplug by pulling on cord. To unplug, grasp the plug  not the cord.
- Do not plug in if switch is in the "I" (ON) position.
- Do not use outlets above counters to plug in vacuum  damage to items in the surrounding area could occur.
- Always carry the vacuum over steps and sills.
- Do not handle plug or vacuum handle with wet hands.
- Do not put any object into vacuum openings. Do not use machine with any openings blocked. Keep openings free of lint, hair, and anything that may reduce air flow.
- Do not reuse filter bags or wash the filters.
- Do not remove any screws from vacuum.
- Do not vacuum up anything that is burning or smoking, such as cigarettes, matches, or hot ashes.
- Do not use vacuum without filter bag and/or filters in place.
- Turn off all machine controls before unplugging.
- Use extra care when cleaning on stairs.
- Do not use machine to vacuum up flammable or combustible liquids such as gasoline or use in areas where they may be present.
- Machines can cause a fire when operated near flammable vapors or materials. Do not operate this vacuum near flammable fluids, dust or vapors.

- Maintenance and repairs must be done by qualified personnel.
- Use only original SEBO replacement parts.
- Do not use vacuum as a step.
- If vacuum is used on plush carpet or carpet with thick padding, do not leave machine standing in one place with machine turned on.
- Do not use the operator's handle, which inserts into the top of the filter bag housing, to carry the machine. The carrying handle is located on the backside of the machine's bag housing.
- Keep hair, loose clothing, fingers, and all parts of body away from vacuum openings and moving parts. Do not place fingers or other body parts under vacuum unless it is unplugged.
- Do not place the power head over rug or carpet edges.
- The vacuum has a manual reset thermal protector. The protector is reset by switching off the vacuum. The thermal protector needs some time to cool down after switching off! Check the vacuum for air blockages or mechanical failures before switching on.
- Store the vacuum in a dry place at room temperature. When the vacuum is not in use, you should rewind the cord onto the cord reel
- Any other servicing should be performed by an authorized service representative.

Product Features

Sebo Vacuums Save Money!

Sebo vacuums are the highest quality machines available. In fact, if properly maintained, Sebo vacuums can save ordinary residential users hundreds of dollars by providing excellent performance for ten to fifteen years or more. Typical vacuums perform poorly and usually do not last beyond two years. So, in the long run, Sebo vacuums cost less money than the five to six other vacuums purchased during that time period.

Outstanding Warranty Coverage

Sebo is confident about the quality of all its vacuums. Therefore, all models include a five-year warranty on the motor and all non-wear parts and a 1-year warranty on labor charges.



Brush Obstruction Light & Auto Shut Off

A warning light will quickly flash, the brush roller will immediately stop spinning and the vacuum will shut off, if an obstruction becomes jammed in the brush roller. The user should turn the power switch off, unplug the machine, and immediately remove the obstruction. If the user restarts the machine without removing the obstruction, the power



head will again shut off and the amber light will turn on. This prevents the belt from breaking and protects the motor from damage.

Bag Full or Clog Light & Auto Shut Off

A warning light will illuminate and the machine will automatically shut off, when it senses a full bag, a clog in the airflow pathway, or an excessively dirty micro filter. If the vacuum's airflow pathway becomes restricted due to a full bag or the existence of a clog, the amber "BAG FULL OR CLOG" light (located on top of the canister near the ON/OFF power control knob) will illuminate. If the user ignores this warning, the suction motor will heat up due to the lack of cooling provided by the airflow. Once the motor reaches a certain temperature it will shut off to protect itself from damage. The user should turn the switch off, unplug the machine and immediately insert a new bag or remove the clog (to remove a clog, refer to the Clog Removal section). After about 30 minutes, the motor will have cooled and the vacuum can be restarted. If the airflow is still restricted, the "BAG FULL OR CLOG" light will again illuminate and the machine will shut off. This feature prevents damage to the motor due to overheating.



Incorrect Height Setting or Brush Deterioration Light

To ensure optimum cleaning at all times, a warning light will illuminate to indicate when the brush height is set too high for effective cleaning,



or when the

brush roller should be replaced due to excessive wear.

Anti-Allergy Hospital-grade, S-class Filtration

An excellent choice for users with allergies or asthma. Certified by leading Allergy foundations in Europe, the AIRBELT K vacuums provide the user with S-class filtration of 99.9% of particles to 0.3 microns. This is accomplished by the Sebo three-step filtration system. First, the three-layer full-size filter bag (a) collects the vast majority of the debris. Then, the remainder of the particles are collected by the hospital-grade micro filter (b). Finally, the micro-exhaust filter (c) cleans the exhaust air that the vacuum emits. The air belt disperses the filtered exhaust air around the canister which provides quiet, gentle air flow. Sebo's unwavering attention to the complete sealing of the machine ensures no dirt escapes around the micro filters.



Liberation from bagless! Sebo Bags are Hygienic

The three-layer filter bag is an integral part of Sebo's filtration system because it effectively contains nearly all dirt captured by the vacuum. And Sebo bags can be sealed when full, so no dust can escape into the air during disposal. In contrast, a lot of dust becomes airborne when emptying the dirt containers of bagless vacuums, and their micro filters quickly clog and must be replaced often, or a loss of suction will occur. And bagless vacuum micro filters are expensive, usually costing much more than Sebo's filter bags.



Micro Filters are Inexpensive and Easy to Change

Unlike most other vacuums, Sebo's replacement micro filters are reasonably priced and can be easily changed in seconds, without any tools. And the micro filters last a long time before replacements are necessary because nearly all dust particles and debris are first captured by the three-layer filter bags.

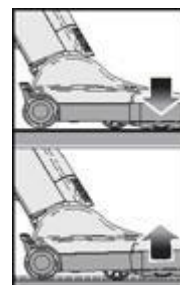


Remarkably Quiet Operation

A Sebo vacuum is so quiet, it will not scare pets, and the feature will be appreciated by family members.

Instant-use Wand and Suction Hose

The integrated instant-use wand or suction hose is always ready. Just pull out either tool, or both together, to clean hard-to-reach corners, edges and crevices. The suction hose is ideal for cleaning furniture. And an optional nine-foot extension hose is available, which creates a total hose length of 15-feet, perfect for cleaning stairs. Choose from a range of optional attachments that can be fitted to the wand or hose. The wand and hose together have an eight-foot reach for instant cleaning of hard-to-reach areas.



Designed for All Floor Surfaces

Automatic Height Adjustment for All Floors

Based upon the resistance of the brush roller against the floor, the power head automatically adjusts up or down to the appropriate cleaning height, providing optimal cleaning of all floor surfaces. The height adjustment chosen by the machine ensures aggressive brush action, while providing optimal air flow. This prevents suffocation of air flow due to improper height selection. Never again manually adjust the brush height or use different vacuums for various floor surfaces; the SEBO X cleans them all, automatically!



Brush Adjustment Indicator Lights

Two lights, one for **up** and one for **down**, illuminate to indicate when the brush roller is in the process of adjusting to the proper cleaning height. Optimum cleaning occurs when both lights are off.

Stationary Use Light

A warning light will slowly flash when the machine is standing in its upright locked position (which causes the power head to rise to its highest point from the floor) yet the

brush remains in contact with the carpet fibers. This feature warns of potential carpet damage caused by excessive time in a stationary position, during which carpet fibers remain engaged with the brush, usually on medium to high pile carpet.

Lifetime Belt Warranty

No more changing belts...they should last the life of the machine!



Vacuum Motor

The AUTOMATIC X has a 1300 watt motor.

Forty-foot Cord

A 40-foot cord saves time because it minimizes the number of electrical outlets needed during use.

Two Power Head Widths

The AUTOMATIC X4 power head is 12-inches wide, with a cleaning width of 10 inches. The AUTOMATIC X5 power head is 15-inches wide, with a cleaning width of 14 inches.



X4

X5

A Flat-to-the-floor, 5.5-inch Profile

Such a low profile makes cleaning under furniture and beds easy!



Three On-board, Full-size Tools and Large Filter Bag

The vacuum comes standard with a crevice nozzle, dusting brush and upholstery nozzle. Many optional accessories are also available. The filter bag is also SEBO's largest, with a dirt capacity of 1.4 gallons.



Crevice Nozzle

Dusting Brush

Upholstery Nozzle

Optional Attachments, Accessories, Bags & Filters

In addition to the standard onboard tools, a variety of optional attachments are available. The nine foot extension hose (extends suction hoses) and the 19inch extension tube are very popular because they create useful tools for cleaning stairs and out of reach areas. These two items are sold separately or as part of multiple item attachment kits. Another popular attachment is the hand held turbo brush for removing pet hair from upholstery.

SEBO filter bags can be purchased in boxes of eight and filters are sold separately. Also, bags and filters can be purchased together in model specific kits called Service Boxes. SEBO bags, filters and accessories are reasonably priced and widely available.

To create a fresh scent while vacuuming, SEBO FRESH is available. To use, deposit a scented stick in the filter bag.



SEBO FRESH

K Service Box

X Filter Bags

Extension Tube

Nine-foot Extension Hose

Hand-held Turbo Brush

Radiator Brush

Using the Attachment Tube, Hose & Attachments

Starting the Machine

Before turning on your vacuum cleaner, make sure that the vacuum handle is in its upright locked position and that you have a firm hold on the handle grip to keep the machine from moving forward.

1. Turn the quick release cable hook to the up position by moving it to the left or right
2. Release the power cord plug from the power cord and lift the cord off the upper cord hook
3. With the switch in the off position, plug the polarized power cord into a 120v outlet located near the floor

Switch Position: **0 = Off, I = On**

Operating the Machine - Figure 3 When the machine is switched on with the handle in the upright locked position, the power head and brush automatically rise from the carpet. To release the machine from the upright locked position, press down on the foot pedal (19) and lower the handle into the normal operating position. The power head and brush will automatically lower to the appropriate height.

The handle can be lowered to an intermediate stop position in order to lift up the brush head for maneuvering over rugs, etc. To lower the handle to a horizontal position useful for vacuuming under beds, the foot pedal must be pressed a second time. The intermediate stop position can be closed off by the orange-colored slider (27) on the back of the swivel neck (20), so that the handle will go from vertical to horizontal in one movement.

Warning - The quality, condition, coating, texture, age and manufacturing technique of all floor surfaces vary. Therefore, vacuums with rotating brushes, including your Sebo, may damage some floor coverings or surfaces. Some types of high-gloss hardwood floors, cushion vinyl, berber carpets, long shag, and delicate or hand-woven carpets are particularly vulnerable for damage by rotating brushes. When possible, consult the materials supplied by your flooring manufacturer for information on proper upkeep and cleaning. **To ensure that your new Sebo vacuum cleaner is compatible with your floor, please test the vacuum cleaner on each type of flooring surface in a small inconspicuous area to determine if any damage occurs. If damage occurs, stop using the vacuum cleaning immediately!**

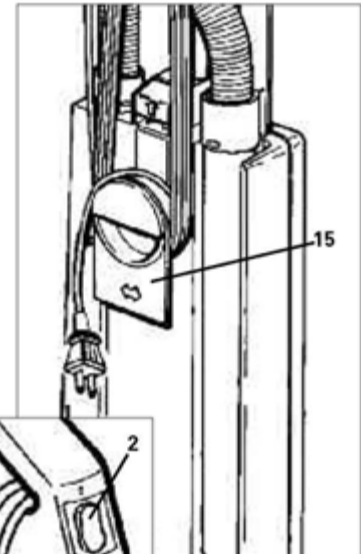


Figure 1

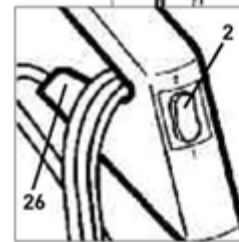


Figure 2

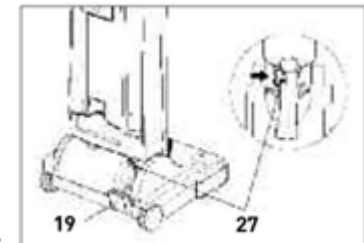


Figure 3

The attachment tube (16) is useful for vacuuming corners and hard-to-reach areas. The handle grip (1) should be in the upright, locked position (as shown in figure 4). Grip the attachment tube handle (11), pull it up and away from the machine and stretch out the hose (12) until it locks to the back of the tube (this locking action will prevent the hose from retracting back into the attachment tube while it is in use). Various attachments may be inserted onto the end of the tube. After use, remove attachment and re-insert the attachment tube into the back of the machine. **Be sure that the attachment tube handle (11) is inserted over the protruding tab.** If the attachment tube handle is properly seated over the protruding tab, the hose will automatically retract and you may resume vacuuming. There is no need to turn off the vacuum while switching from upright vacuuming to using the attachment tube or hose.

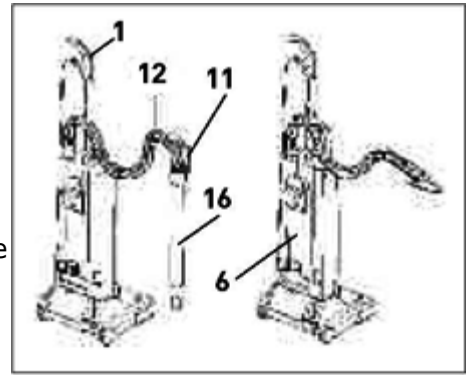


Figure 4

Figure 5

To use the hose without the attachment tube (as shown in figure 5), pull the hose out of the attachment tube while the tube is still attached to the machine and **securely seated over the protruding tab (22)**. Insert an attachment tool, if desired, onto the end of the flexible hose. You may also release the hose while the attachment tube is disengaged from the machine by pressing the release button at the base of the handle (11).

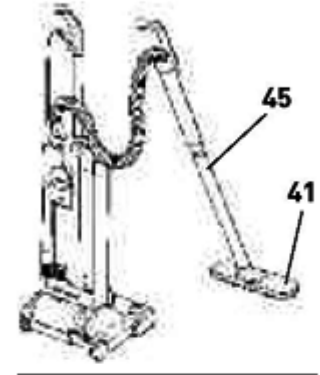


Figure 6

While using attachment tools, if the the power head brush roller is not able to disengage from the floor surface, the stationary-use warning light will flash. You may keep the brush roller off the carpet by placing the handle (1) in its upright locked position and lowering the handle with one hand to raise the brush roller off of the floor. Operate attachment accessories with the other hand. Or, with the handle in the upright locked position, the machine may be tipped backward so that it rests against furniture or the floor on the back side of the bag housing (6), and the power head is locked in a perpendicular position to the floor. Ensure that no children or pets can come into contact with the spinning brush roller.

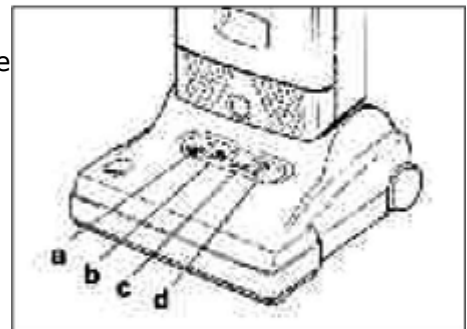


Figure 7

To vacuum walls, under beds, or higher-reach areas, etc., the SEBO AUTOMATIC X can be fitted with an additional straight tube (45) and the wall and floor brush (41). The machine will then perform as a canister vacuum (as shown in figure 6).

The Display Panel - Figure 7

Green Light A - Brush is lowering

Green Light B - Brush is rising

Red Light C - Flashing and motor off - brush jammed (clear jam)

Red Light C - Flashing and motor on (when machine is in upright, locked position) - take care, brush in contact with carpet

Red Light C - Continuous - change brush roller

Red Light D - Continuous - change bag or clear clog

Red Light D - Flashing - motor switched off due to full bag or clog

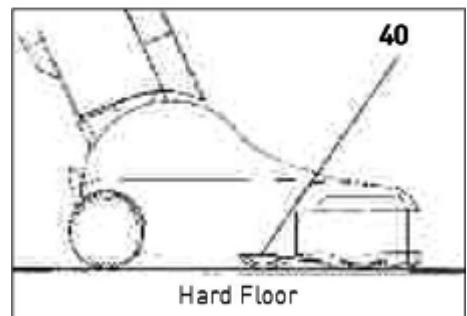


Figure 8

The Adjustment Wheel - Figures 8 and 9

On hard floors, the adjustment wheel moves upward into the machine so that the brush lowers and becomes flush with the floor.

On carpeted floors, the adjustment wheel moves downwards out of the machine so that the brush rises. The adjustment wheel moves up and down automatically to adjust the brush to the correct setting. This provides aggressive brush action, while maintaining optimal air flow.

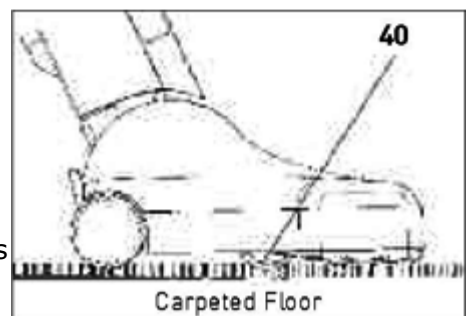


Figure 9

Vacuum Maintenance

Always unplug the vacuum from outlet before dismantling any part of the machine.

Changing the Dust Bag

To change the dust bag, pull the cover release flap forward and lift the cover (7) from the dust bag housing. **The cover release flap must remain in a forward ◊pulled-out◊ position to change dust bags and lock them into place.** Squeeze the clamps on both sides of the dust bag sealing plate, slide the plate (28) from the holder (29) and push the cap on to seal the bag. Slide the sealing plate (28) of a new bag into the holder and push it in firmly. Re-insert cover into dust bag housing, push it forward, then lock it in place by pushing down the cover release flap. You may find it convenient to store the bag cap below the dust bag.

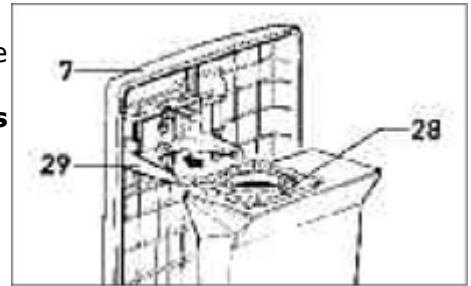


Figure 10

inside the dust bag housing

Changing the Micro-Hygiene

The micro-hygiene filter (30) needs extremely dirty or clogged with dust, bags have been used. To change the cover release flap (#5 on page 6) forward and lift the cover from the dust bag housing. Then, slide the filter out at the bottom. To replace, lift the safety lever (31) and slide the new filter in using the tracks as guides.

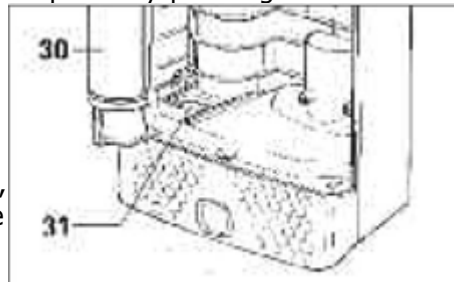


Figure 11

Filter - Figure 11

to be changed when it becomes or after approximately 20 dust micro-hygiene filter, pull the

Changing the Exhaust Filter - Figure 12

After 20 bags have been used, change the exhaust filter (32). To remove the exhaust filter, push the catch (33) backward and remove the filter cover (34) and exhaust filter. Insert the new filter and replace the filter cover.

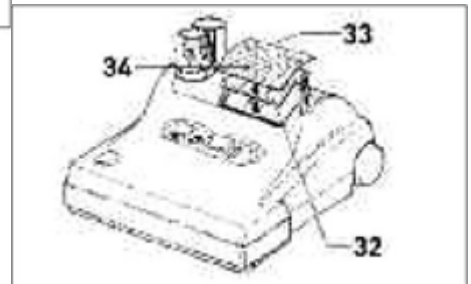


Figure 12

- **Figure 13 (X4), Figure 13a (X5)** or 35a), push the button(s) (36 or (37 or 37a), turn the brush(s) pull the old brush roller(s) out. Slide brush housing and turn it until it pushing the button(s) (36 or 36a), 37a) back into the locked position.

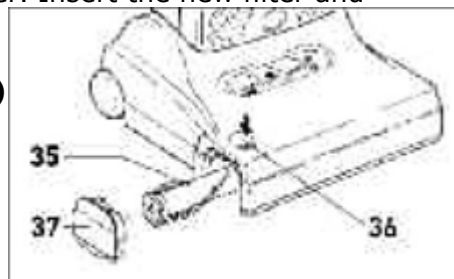


Figure 13 (X4)

Changing the Brush Roller(s)

To change the brush roller(s) (35 36a), remove the side plate(s) clockwise a quarter of a turn, and the new brush roller(s) into the locks into position. While slightly press the side plate(s) (37 or

Changing the Sealing Strip - (X5)

The sealing strip (39) is located just behind the brush roller opening. The sealing strip seals the power head to hard floors to prevent kick-back of debris while vacuuming. To replace a worn sealing strip, push the release button, remove the side plate (36 and 37 in figure 13 & 13a) and slide old strip out. Insert the new strip into the slot and slide into place.

Figure 14 (X4), Figure 14a

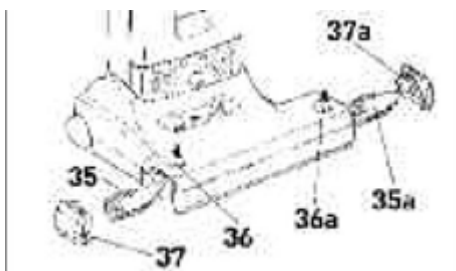


Figure 13a (X5)

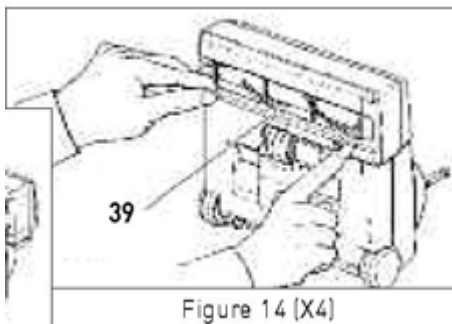


Figure 14 (X4)

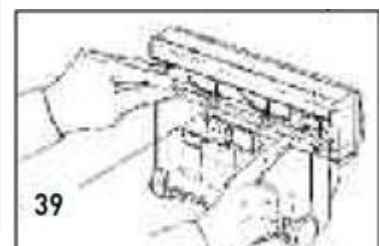


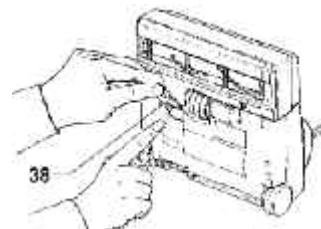
Figure 14a (X5)

Clog Removal

Always unplug vacuum from outlet before removing any clogs!

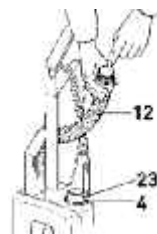
Clogs in the Attachment Hose - Figure 16

Blockages in the hose can be cleared by removing the attachment hose (12) from the machine by squeezing the retaining ring (4) and inserting the opposite end of the hose in the connecting tube (23). Hold the hose upright with one hand blocking the top end and switch on the machine. If necessary, quickly lift your hand on and off the end of the hose. If this procedure does not clear the clog, a straight wire can be inserted into the hose to push out the clog. Take care not to puncture the hose with the wire.



Pathway - Figure 15

removed by accessing the airflow pathway via the orange colored located on the underside of the power head. However, other clogs by accessing the airflow pathway by disassembling the machine in of the machine's original assembly.



Clogs in the Airflow

Most clogs can be access door (38) may only be removed the opposite sequence

Clogs in the Attachment Tube (Active Wand) - Figure 17

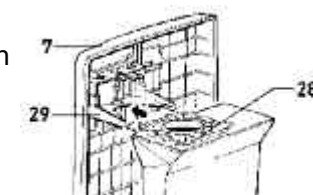
hose (12) from the attachment tube (16). Then, attachment tube handle (11) and remove tube machine. A straight wire can be inserted into the out the clog.



grip from the tube to push

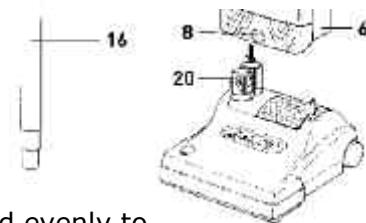
Remove figure 16)

Remove attachment



Clogs in Entrance to Dust Bag - Figure 18

attachment hose (12) from vacuum cleaner (see and remove front cover (7). Clean out connecting tube (23) and/or entrance to bag (28).



Clogs in the Swivel Neck - Figure 19

Clogs in the swivel neck (20) can be removed by first pressing the housing release button (8) and lifting off the dust bag housing (6). Lift upward firmly and evenly to the dust bag housing. Then, release the foot pedal (19), lower the swivel neck, check inside the swivel neck channel closest to the foot pedal (see arrow), and clean out pathway.

properly remove

inside the swivel

neck channel

closest to the

foot pedal

(see arrow),

and clean out

pathway.

Troubleshooting Guide

Always unplug vacuum from outlet before dismantling any part of the machine!

Problem	Reason(s)	Solution
Does not turn on or machine shuts off intermittently.	1. Handle not fully inserted into the bag housing, causing a faulty connection.	Release handle catch, push handle down, close handle catch.
	2. Not plugged into working outlet	Use another outlet
	3. Cable worn	Replace cable
	4. Dust bag housing not seated fully into proper locked position on top of power head.	Housing release button should be snapped outwards to its locked position.
Bag full/clog light on and/or machine shuts off.	1. Bag full	Replace filter bag
	2. Clog in airflow pathway, attachment hose, attachment tube, swivel neck or entrance to dust bag.	See "Clog Removal"
	3. Micro-filter dirty	Replace micro-filter
Brush light on.	1. Brush Worn	Replace brush
Brush light flashing & machine shuts off.	1. Brush jammed	Shut off the power switch, unplug the machine and pull the obstruction from the brush roller.
Up & down lights flicker	1. Operating on uneven floor	Ignore
Does not pick up.	1. Attachment tube not correctly inserted.	Reinsert attachment tube, making sure lower end of tube is in the lower hole and handle is properly seated over the protruding tab.
	2. Front cover not closed	See below
Front bag door won't fully close.	1. Cover release flap not fully closed	Reinsert bag. Lock the cover release flap down firmly.
	2. Bag not inserted properly.	Reinsert bag with cover release flap up, until firmly latched in bag holder.
	3. Micro-filter not properly inserted.	Lift safety lever and insert filter with vertical plastic ridge on filter facing you.
Hose doesn't retract after attachment tube is inserted.	1. Attachment tube not properly inserted.	Reinsert making sure top of handle is pointing back and tube is fully seated on the protruding tab on top of the dust bag housing.

Schematics and Parts List

See the Sebo Automatic X Schematics.

Warranty Information

Five Year Non-Wear Parts - Five Years Motor - One Year Labor

1. Your authorized Sebo dealer or Sebo will provide the original product purchaser with replacement of non-wear parts which fail due to a material or workmanship defect for a period of five (5) years from the original date of purchase of new product. Sebo America will provide a five (5) year warranty on suction motors and brush drive motors.
2. Your authorized Sebo dealer or Sebo will repair (or will cover labor charges associated with repair) a defected Sebo vacuum cleaner at no cost to the original purchaser, within one (1) year of original purchase of new product.
3. Sebo America or an authorized Sebo dealer must complete all warranty repairs.
4. To locate an authorized Sebo dealer in your area, or to register a warranty claim in the **United States of America, please visit www.sebo.us**
5. To locate an authorized Sebo dealer in your area, or to register a warranty claim in **Canada, please call Floor Care Equipment, Ltd. at 403-250-5005**
6. The warranties provided for above apply exclusively to Sebo vacuum cleaners which are used residentially. No warranty is provided for Sebo vacuum cleaners used commercially.
7. The Wear Parts excluded from warranty coverage include filter bags, micro-hygiene filters, exhaust filters, the cable (external cord), the attachment hose, the brush rollers, the front bottom plate, the rear bottom plate, the telescopic tube, the crevice nozzle, the upholstery nozzle, the dusting brush and all of the optional attachments.
8. This warranty applies only while your Sebo vacuum cleaner is physically located within the United States of America and its territories or Canada.
9. The purchase receipt showing the date, price, and item of purchase is the initial document of proof of purchase and determines the validity of warranty. To be certain that your warranty claim can be processed as quickly and efficiently as possible, please retain your original purchase receipt and mail in the warranty card provided with your new Sebo vacuum cleaner. You may also register on our website at www.sebo.us
10. This warranty gives you specific legal rights. You may also have other legal rights, which vary from state/province to state/province.
11. Sebo America will not process nor will it accept responsibility for warranty claims for machines purchased from dealers located in Canada. Floor Care Equipment, Ltd. will not process nor will it accept responsibility for warranty claims for machines purchased from dealers located in the United States.

EXCLUSIVE REMEDY: The remedies provided under the terms of this warranty are the purchaser's exclusive remedies and are in lieu of any other remedies otherwise available.

THE WARRANTY DOES NOT COVER:

- Used or secondhand products.
- Products outside of the warranty period.
- Items not manufactured by Sebo.
- Normal maintenance service.
- Equipment damaged by improper use, accident, other casualty or negligence.

- Machines equipped with non-authorized attachments or modifications.
- Machines on which the serial number has been altered or removed.

Limitations and exclusions:

Sebo makes no other representations or warranties, expressed or implied and specifically excluded the implied warranties of merchantability and fitness for a particular purpose.

Sebo will not be liable for incidental or consequential damages of any kind or nature.

This disclaimer of implied warranties shall not apply to the extent said disclaimer is not allowed by applicable state/provincial law.

To contact Sebo in the United States:

Sebo America, LLC

Telephone: 303-792-9181

Fax: 303-792-9196

Website: www.sebo.us

© Copyright Sebo America, LLC - All Rights Reserved