



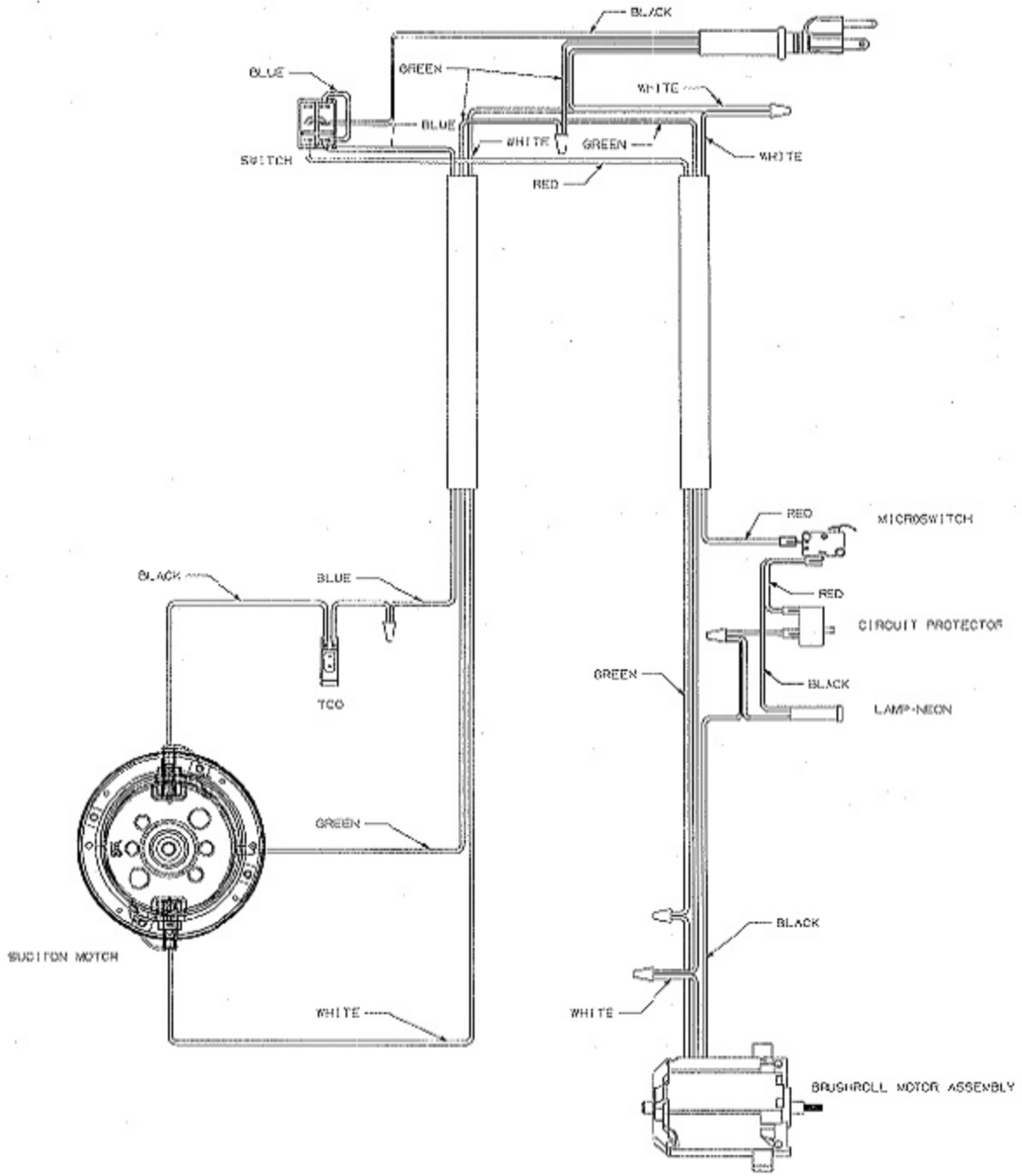
# REPAIR PARTS LIST

Model

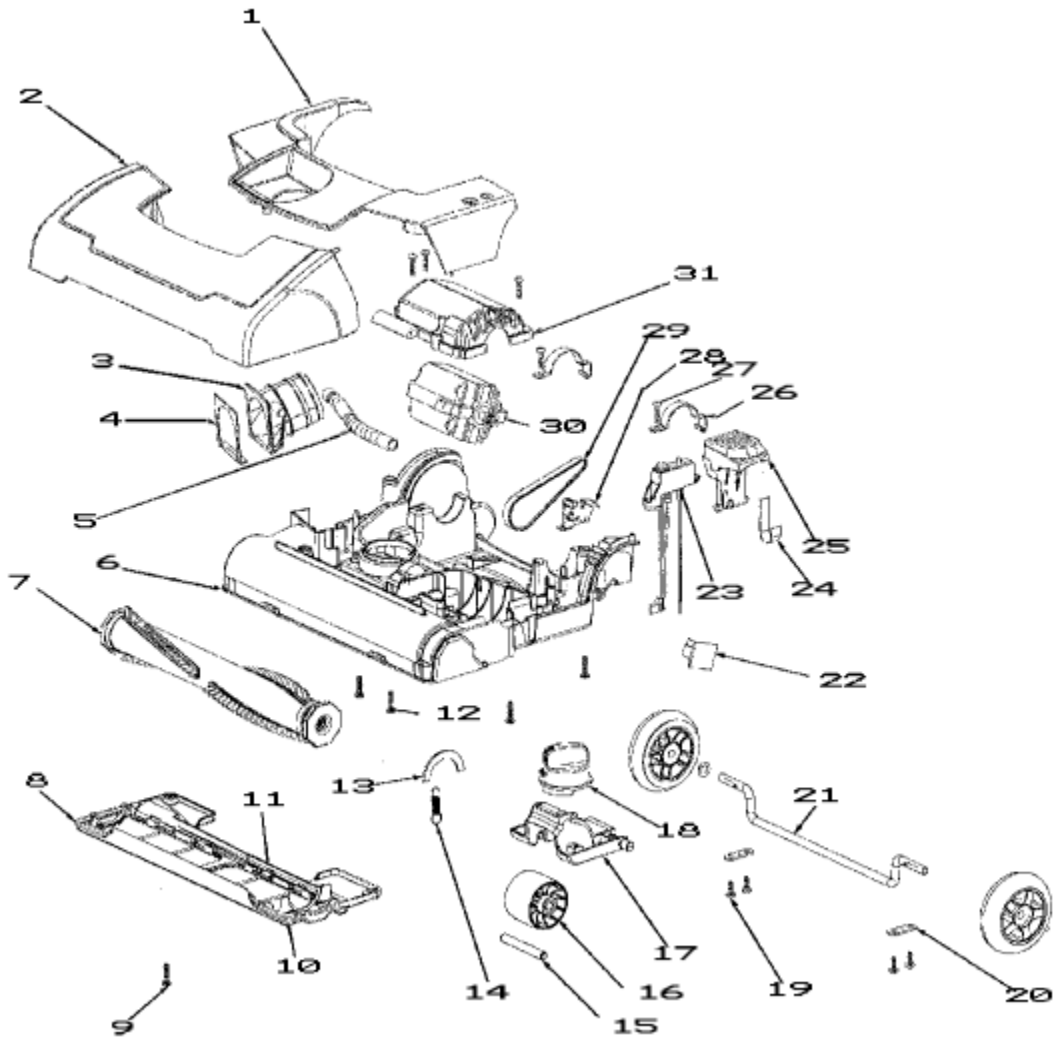
**SC9180B**

Commercial Upright

# Wiring 78573 - SC9180B



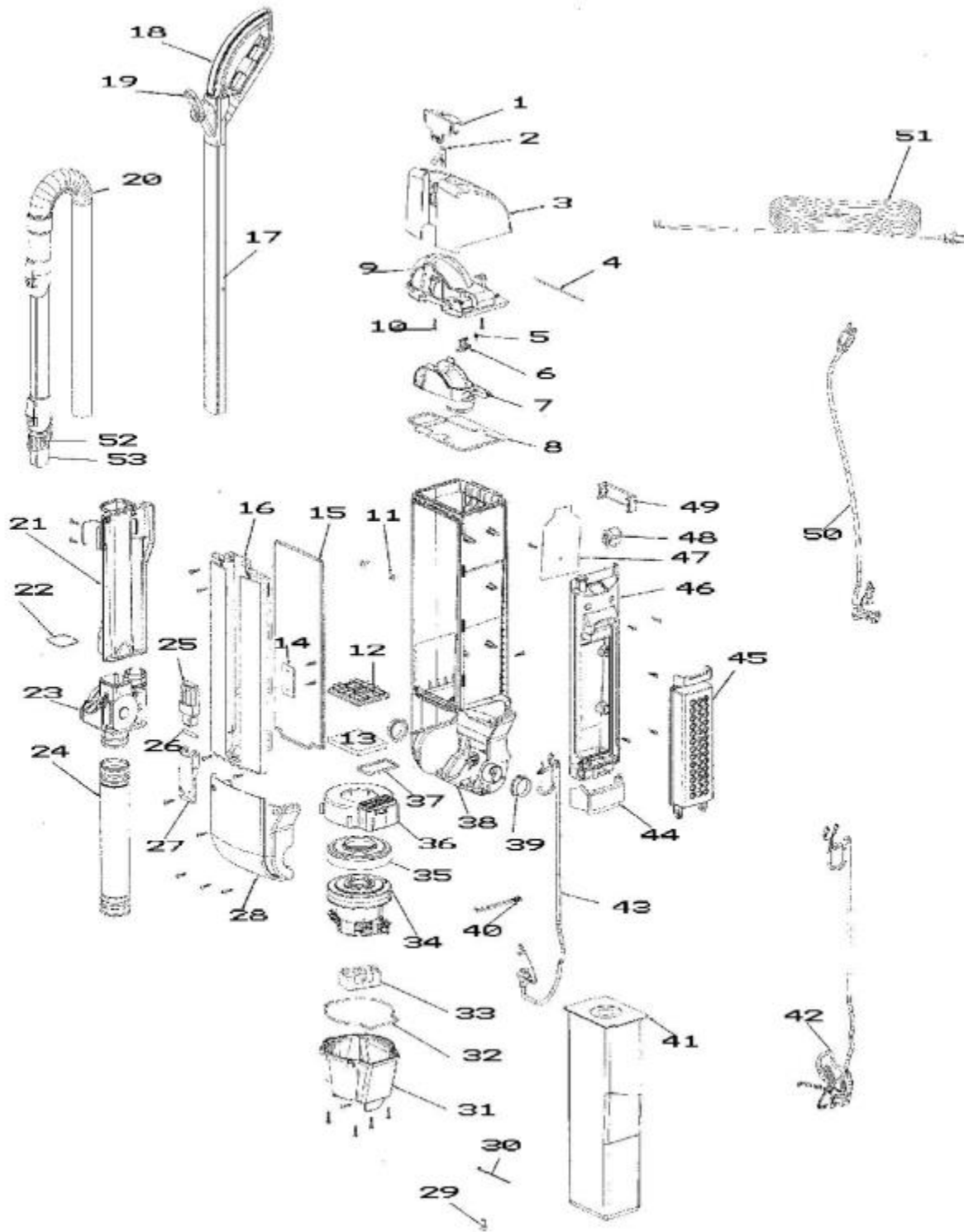
Base & Hood - SC9180B



Base & Hood - SC9180B

Ref #	Part	Description	Comments	Qty
1	63862-5	HOOD ASSEMBLY - PACKAGED		
2	63863-5	GUARD, CARRIER & GRPHCS-PKG		
3	77134A-119N	ADAPTER - BASE		
4	77130	GASKET - ADAPTER		
5	77822	TUBE - COOLING		
6	63857	BASE ASSEMBLY - PACKAGED		
7	16101-1	BRUSHROLL ASSEMBLY - CART		
8	82530	SOLEPLATE, FELT & GASKET ASSY		
9	54669-6	SCREW PACKAGE		
10	78580	GASKET - SOLEPLATE		
11	78907	GASKET - SOLEPLATE REAR		
12	53238-27	SCREW PACKAGE		
13	77129	FELT - SOLEPLATE		
14	54943	SPRING PACKAGE		
15	77411	FRONT AXLE		
16	77117-355N	FRONT WHEEL W/IN MOLD BUS		
17	77116A-355N	WHEEL - CARRIAGE		
18	77114-308N	KNOB - HEIGHT ADJUSTMENT		
19	53238-11	SCREW PACKAGE		
20	53201	AXLE CLAMP - PACKAGED		
21	63860-1	REAR WHEEL & AXLE ASSEMBL		
22	78652A	VULCANIZED PAPER - MICROS		
23	78290-3	RETAINER ASSEMBLY		
24	77136	SPRING - HANDLE RELEASE		
25	77135-380N	HANDLE RELEASE		
26	77140	MOTOR - CLAMP		
27	53238-27	SCREW PACKAGE		
28	59397-7	MICRO SWITCH & BRACKET AS		
29	77133	BELT - POLY V		
30	63861-2	BRUSHROLL MOTOR ASSY - CT		
31	77132-119N	COVER - BRUSHROLL MOTOR		
	79380	GASKET - BRUSHROLL MOTOR		

Body - SC9180B



## Body - SC9180B

Ref #	Part	Description	Comments	Qty
1	77281A-308N	LATCH - TOP COVER		
2	77528A	SPRING - TOP COVER		
3	77273-119N	COVER - TOP		
4	77844A	HINGE PIN - TOP COVER		
5	63867	SPRING PACKAGE		
6	77282-355N	LEVER - BAG IN PLACE		
7	77270-355N	INLET - BAG		
8	77274	GASKET - TOP COVER		
9	77271-355N	INLET - COVER		
10	53238-27	SCREW PACKAGE		
11	60160	SCREW PACKAGE 10		
12	77480-355N	GRILL - PRE-MOTOR FILTER		
13	77883	MEDIA - FILTER		
14	77495	CLAMP - PLATE		
15	77289	GASKET - FRONT COVER		
16	79706	FRONT COVER & GRAPHICS AS		
17	77294-1	UPPER HANDLE ASSEMBLY		
18		Use item 17		
19	77292-308N	QUICK CORD RELEASE		
20	63864-3	HOSE & WAND ASSY - CARTON		
21	77275-119N	DIRT TUBE		
22	78310	GASKET - DIRT TUBE		
23	77125-1	VALVE ASSEMBLY		
24	70051-380N	HOSE - CONNECTOR		
25	77284-355N	ADAPTER - LOWER CORD HOOK		
26	77529	SHAFT - CORD HOOK		
27	77283-355N	LOWER CORD HOOK		
28	77266-119N	COVER - MOTOR		
29	60192-1	WIRE SPLICE 5		
30	46713-5	TIE - CABLE (PURCHASED)		
31	77285-313N	SHROUD - MOTOR		
32	77818	GASKET - MOTOR SHROUD		
33	77295A	GROMMET - SUCTION MOTOR		
34	63865	MOTOR ASSEMBLY - CARTONED		
35	77288-316N	GASKET - MOTOR CAN		
36	77287-119N	SHROUD - MOTOR COVER		
37	78129	GASKET - COVER MOTOR SHRO		
38	78261-6	REAR HOUSING ASSEMBLY		
39	77141-119N	BUSHING - NYLON		
40	39252-19	THERMOSTAT & TERMINAL ASS		
41	63262	BAG ASSY PACKAGE (A&H SENECA)		
42	77527	JUMPER CORD - UPPER		
43	77530	JUMPER WIRE - MOTOR		
44	77291-119N	COVER - HEPA SHROUD		
45	78442A-2	HEPA FILTER ASSY (WASHABL		
46	77286-355N	SHROUD - HEPA		
47	78117	VULCANIZED PAPER		
48	77816-1	SWITCH - ROCKER		
49	15854-1	HANDLE ASSEMBLY - PACKAGE		
50	78295	SUPPLY CORD ASSEMBLY		
51	76224	CORD - EXTENSION (50FT)		
	76224-2	CORD - EXTENSION (30FT)		
52	77853-1	DUST BRUSH ASSEMBLY		
53	77856-119N	WAND TIP		
not pictured	78750	owners guide		
	78742SV	PACKAGE - HARDWARE		