

# It's **NOT** Your Mother's Vacuum



Featuring  
**Z-TECH** Design

*Turbocat* **Z**oom

## **DEEP CLEANING** hits the **FAST LANE**

You'll love the sleek contemporary look and brilliant color of the new Turbocat® Zoom. And you'll love its performance. Remove embedded dust and dirt more effectively. Maneuver with ease under and around furniture. And enjoy the peace and quiet. There's never been a quieter, more powerful turbine powerhead than the Turbocat Zoom. Our exclusive Z-Tech Design delivers these benefits and more:

- Exclusive Vac-N-Groom brush roller features dual bristles for more thorough cleaning.
- Multi-port base plate and expanded air intake improve vacuum power and cleaning performance.
- Soft Pro-Tech bumper protects furniture from damage.
- Easy-glide front rollers improve maneuverability.
- Run-silent bearing isolators and silent drive, non-slip belt ensure quieter operation.
- Sleek low profile and 13" wide vacuum path provides edge-to-edge cleaning.



## The **POWER** of **TURBO**

The Turbocat® Zoom operates without additional electricity, power cords or batteries, making installation easier and less costly.

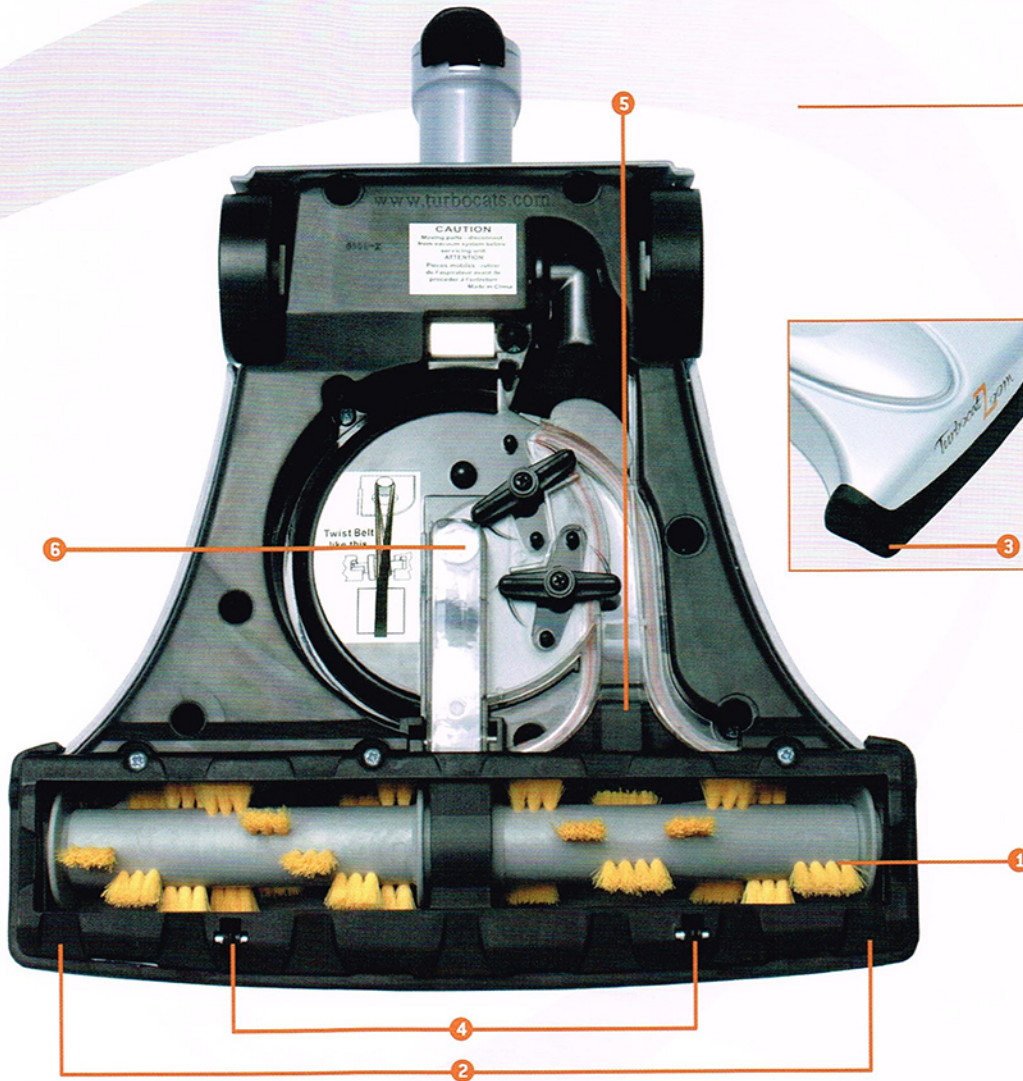
The Turbocat Zoom works with the power of your central vacuum system. The turbine rotates at a high RPM, generating the air power necessary for superior cleaning performance. The turbine shaft prevents debris from causing belt breakage.

The low-profile of the Turbocat Zoom makes cleaning under furniture a breeze. The easy-glide front rollers ensure you can maneuver around obstacles for quick and easy cleaning.



# Turbocat<sup>®</sup> Zoom

Featuring Z-Tech Design



- 1 DeepSweep II Brush Roller relies on a proven design of tufted bristles to ensure deep cleaning contact. Ribs and traps, located at both ends of the roller and one side of the belt, block debris and allow for quick and easy cleaning of the roller.
- 2 Multi-port Base Plate is surrounded by recessed channels to increase airflow and enhance vacuum performance.
- 3 Soft Pro-Tech Bumper protects woodwork and furniture from “bumps” during vacuuming.
- 4 Easy-Glide Front Rollers provide easy maneuverability and responsiveness.
- 5 Large Air Intake Port facilitates dirt entry and provides improved cleaning performance.
- 6 Self-tensioning, non-slip, Silent Drive Belt reduces vibration, noise and maintenance.

